

**GROUP 582 SOCKETS SETS - 1/2" SQUARE DRIVE**

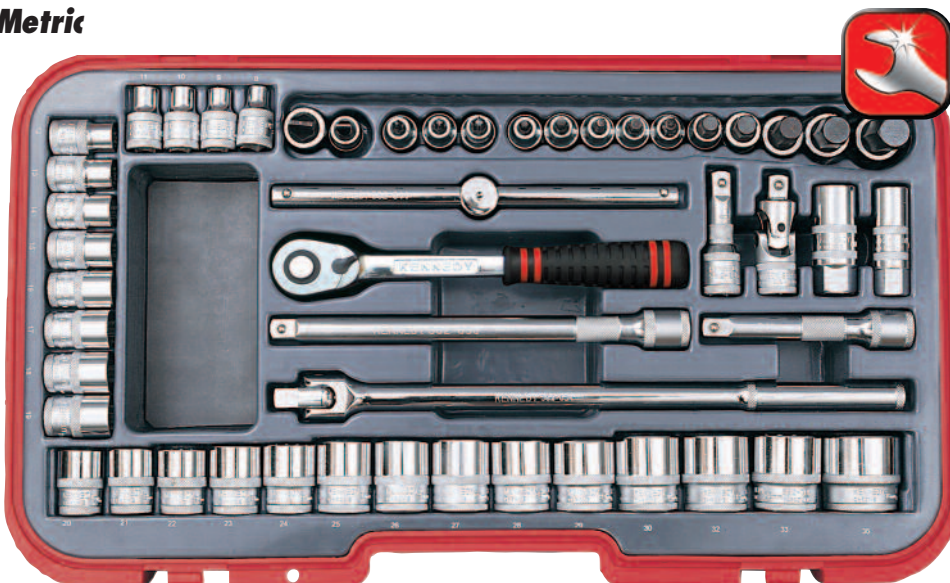
**KENNEDY PROFESSIONAL MS50M - 50 Piece Metric with Driver Bits**

**Sockets:** 8, 9, 10, 11, 12, 13, 14, 15, 16, 17, 18, 19, 20, 21, 22, 23, 24, 25, 26, 27, 28, 29, 30, 32, 33 and 36mm.

**Screwdriver Bits:** Crosspoint No.2, No.3, No.4. Hex 4, 5, 6, 7, 8, 10, 12, 14, 17 and 19mm. **Screwdriver Bits:** 9 and 14mm

**Spark Plug Sockets:** M10 and M14.

**Accessories:** Quick release ratchet handle, sliding T-handle, swivel handle, universal joint 75, 125 and 250mm extension bars. Parts tray with magnetic insert. Robust fitted case with security padlock hole and cushion grip handle.



Number of Pieces	Weight each	Order Code	List Price/1	Offer Price/1
50	9.85kg	<b>-7993K</b>	£355.00	<b>£163.30</b>

Accessories	Order Code	List Price/1	Offer Price/1	Accessories	Order Code	Offer Price/1
Replacement Case	<b>-2920K</b>	£30.28	<b>£21.20</b>	Locking Clasps (Pr)	<b>-6000K</b>	<b>£1.89</b>

**M70MAW - 70 Piece Metric, Inch & Whitworth**

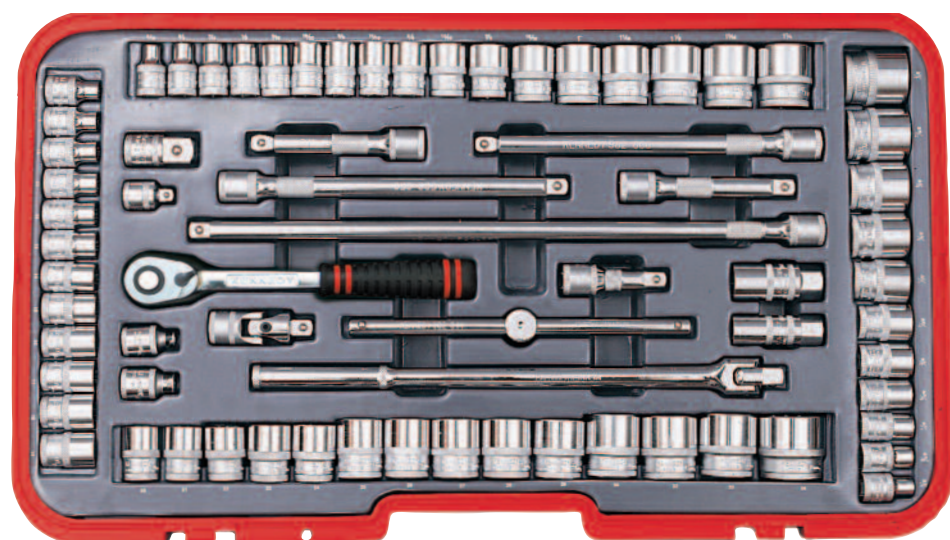
**Sockets:** 8, 9, 10, 11, 12, 13, 14, 15, 16, 17, 18, 19, 20, 21, 22, 23, 24, 25, 26, 27, 28, 29, 30, 32, 33 and 36mm. 5/16", 3/8", 7/16", 1/2", 9/16", 19/32", 5/8", 11/16", 3/4", 13/16", 7/8", 15/16", 1", 1 1/16", 1 1/8", 1 3/16" and 1 1/4" AF. 1/8", 3/16", 1/4", 5/16", 3/8", 7/16", 1/2", 9/16", 5/8", 11/16" and 3/4" Whit.

**Hex Bit Adaptors:** 1/4" and 5/16".

**Spark Plug Sockets:** M10 and M14.

**Convertors:** 1/2" sq. female x 3/4" sq. male, 1/2" sq. female x 3/8" sq. male.

**Accessories:** quick release ratchet handle, sliding T-handle, swivel handle, universal joint, 75, 125, 250, and 450mm extension bars, 125 and 250mm wobble extensions. Robust fitted case with security padlock hole and cushion grip handle.



Number of Pieces	Weight each	Order Code	List Price/1	Offer Price/1
70	12.2kg	<b>-7995K</b>	£441.00	<b>£202.86</b>

Accessories	Order Code	List Price/1	Offer Price/1	Accessories	Order Code	Offer Price/1
Replacement Case	<b>-2930K</b>	£33.80	<b>£23.66</b>	Locking Clasps (Pr)	<b>-6000K</b>	<b>£1.89</b>

**YAMOTO INDUSTRIAL SOCKET SETS**

**1/2" Square Drive** Manufactured from industrial quality chrome vanadium steel with corrosion resistant high polish mirror finish, aluminium-free to ensure non-sparking. The 12 point bi-hexagonal side drive sockets allow higher torques to be applied to nuts without damage and grip worn nuts. The strength and robust design of 1/2" drive make them suitable for the heavy use encountered in agriculture, service and maintenance industries. Sockets manufactured to: **ANSI B107.5M:1987**. Accessories manufactured to: **ANSI B107.10M:1982**.

**50 Piece Metric, Inch & Whitworth**

**Sockets:** 8, 9, 10, 11, 12, 13, 14, 15, 16, 17, 18, 19, 20, 21, 22, 24, 27, 30 and 32mm. 5/16", 3/8", 7/16", 1/2", 9/16", 5/8", 11/16", 3/4", 13/16", 7/8", 15/16", 1", 1 1/16", 1 1/8", 1 1/4" A/F. 3/16", 1/4", 5/16", 3/8", 7/16", 1/2", 9/16" and 5/8" Whit.

**Spark Plug Sockets:** M14 and M10.

**Accessories:** quick release flick lever ratchet with rubber grip, T-handle, swivel handle with rubber grip, universal joint, extension bars 125 and 250mm. Robust fitted case with magnetic parts tray, padlock hole and cushion grip handle.



Number of Pieces	Weight each	Order Code	List Price/1	Offer Price/1
50	9.40kg	<b>-7996K</b>	£173.00	<b>£79.58</b>

Accessories	Order Code	List Price/1	Offer Price/1
Replacement Case	<b>-2950K</b>	£28.57	<b>£20.00</b>

**HAND TOOLS**